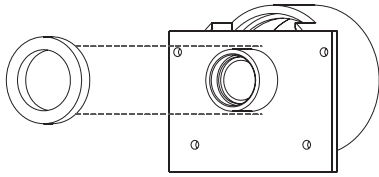


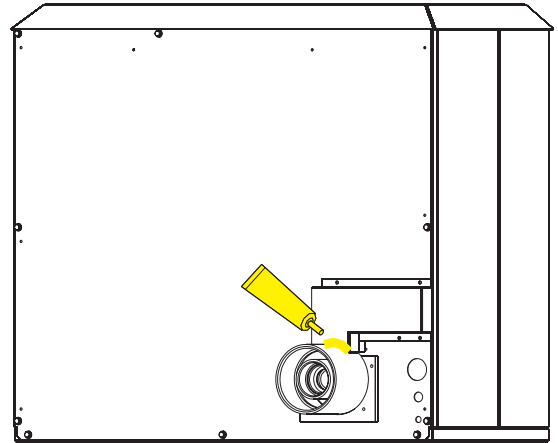
# PVVK-24H AND PVVK-48H VENT KIT INSTALLATION

EFFECTIVE DATE OCTOBER 2006

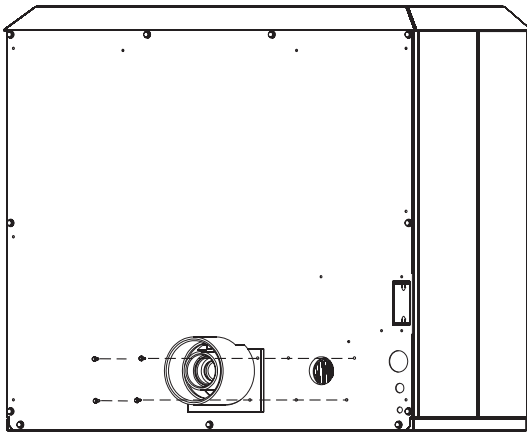
INSTRUCTIONS MUST BE LEFT WITH THE OWNER FOR FUTURE REFERENCE AFTER INSTALLATION



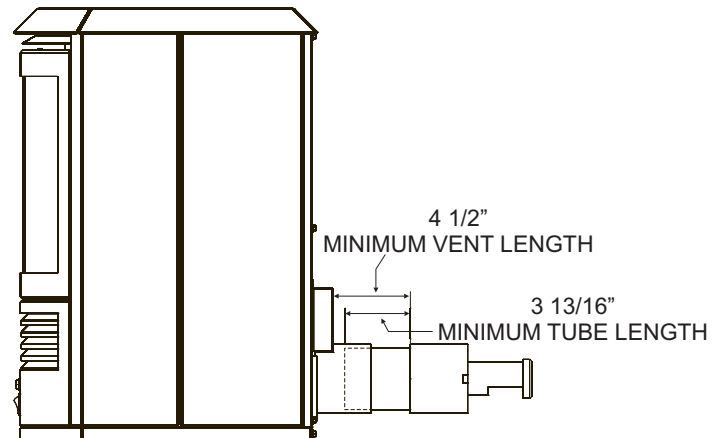
**Step 1.** Install foam gasket on back side of co-axial direct vent adaptor.



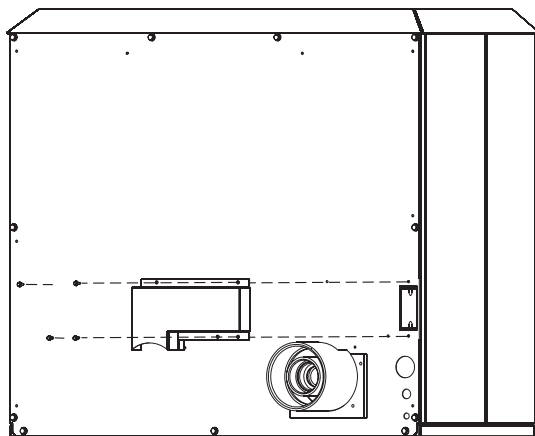
**Step 4.** Install silicone around connection between co-axial adaptor and co-axial air-inlet duct.



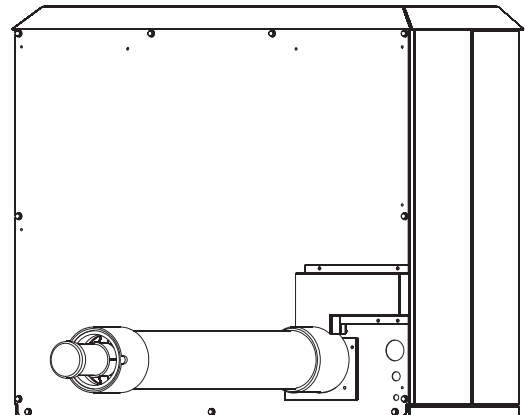
**Step 2.** Attach co-axial direct vent adaptor and gasket (4 screws) to the rear of fireplace.



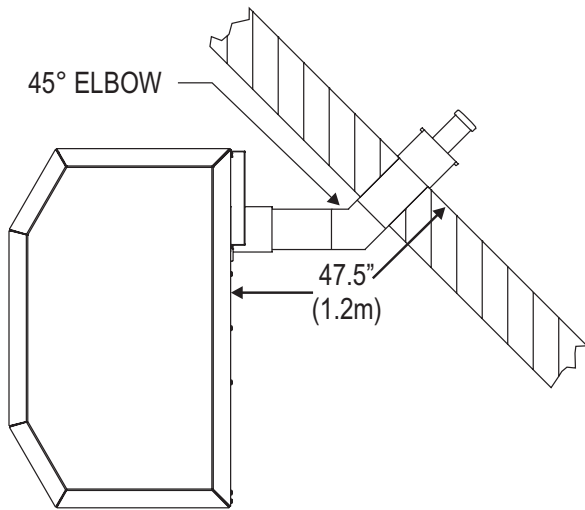
**Step 5.** Slide co-axial vent pipes into co-axial adaptor. Cut the PVC co-axial pipes at this time.  
Minimum horizontal vent length 4 1/2" (11.4cm)  
Minimum tube length 3 13/16" (9.7cm)



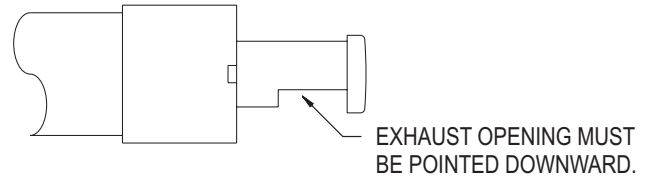
**Step 3.** Attach co-axial air-inlet duct to rear of fireplace (6 screws).



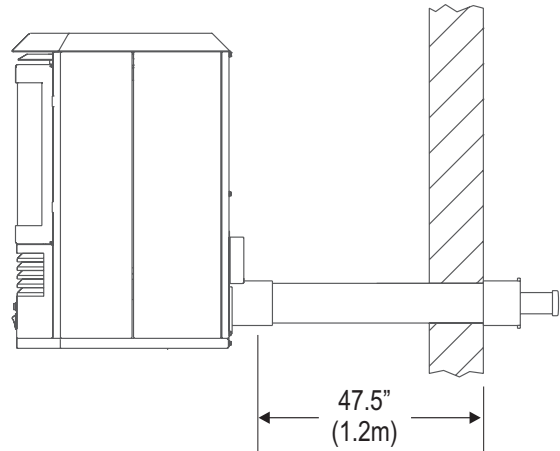
**Step 6.** Direct vent co-axial venting is completed.



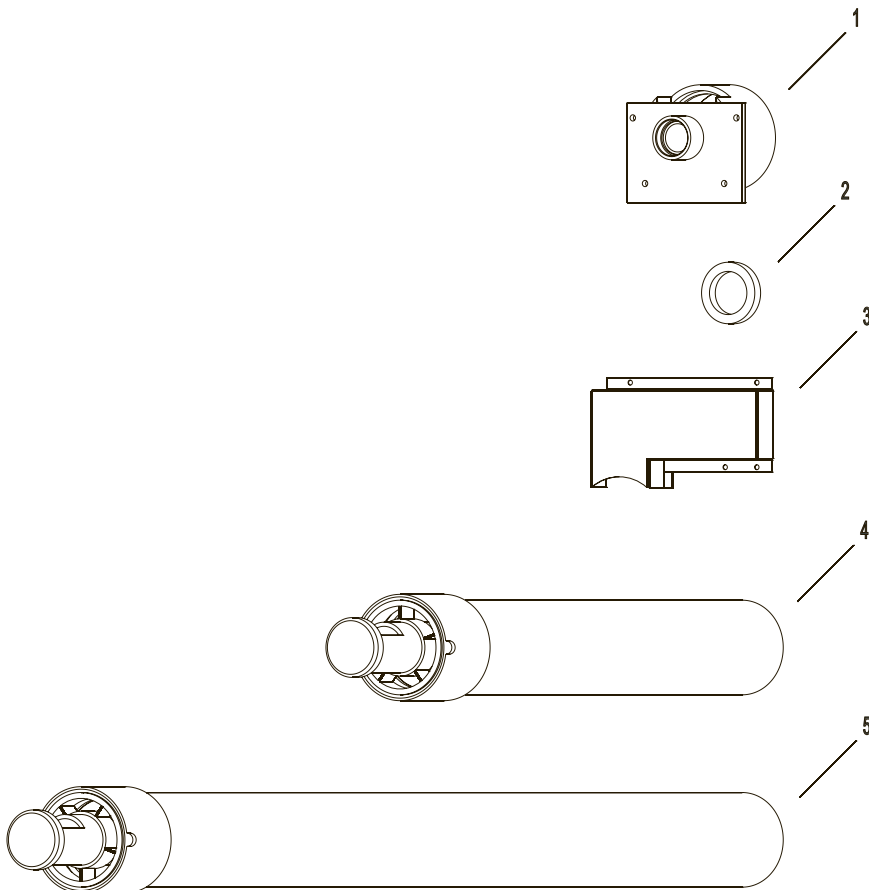
**Horizontal Venting Maximum 47.5" (1.2m) with 45° elbow**  
 45° elbow can be purchased from a local hardware store



**Direct Vent System Building Exterior View**



**Maximum Horizontal Venting - 47 1/2" (1.2m)**  
**Minimum Horizontal Venting - 4" (10.2cm)**



Parts List		
Index Number	Part Number	Description
1	R8887	Co-axial DV Adaptor
2	R8862	Foam Gasket
3	22616	Co-axial duct assembly
4	R8888	24" Co-axial vent pipe
5	R8954	48" Co-axial vent pipe

Replacement 8-18 x 1/2" screws and silicone can be purchased from a local hardware store.