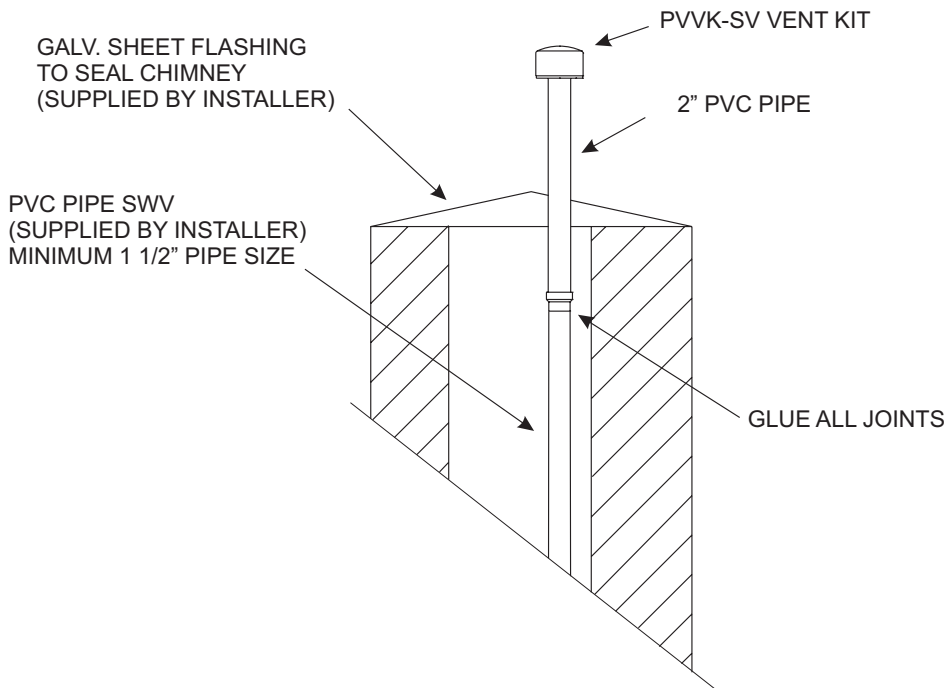


# PVVK-SV SINGLE FLUE VERTICAL VENT KIT

EFFECTIVE DATE NOVEMBER 2006

**INSTRUCTIONS MUST BE LEFT WITH THE OWNER FOR FUTURE REFERENCE AFTER INSTALLATION**

When installing the PVVK-SV Vent Kit:  
Follow the roof pitch diagram to determine your vent height.  
Glue all PVC joint connections.  
Max Vent Run - 20' Equivalent.  
Refer to instruction manual for single flue vent examples.



**Venting for Existing Fireplace Installation**

## Determining Minimum Vent Height Above the Roof

**WARNING:** Major U.S. building codes specify minimum chimney and/or vent height above the rooftop. These minimum heights are necessary in the interest of safety.

ROOF PITCH	H (Min.)
Flat to 6/12	12" (305mm)
6/12 to 7/12	15" (381mm)
Over 7/12 to 8/12	18" (457mm)
Over 8/12 to 16/12	24" (610mm)
Over 16/12 to 21/12	36" (914mm)