

MANTIS OPTIONAL PEDESTAL ASSEMBLY INSTALLATION

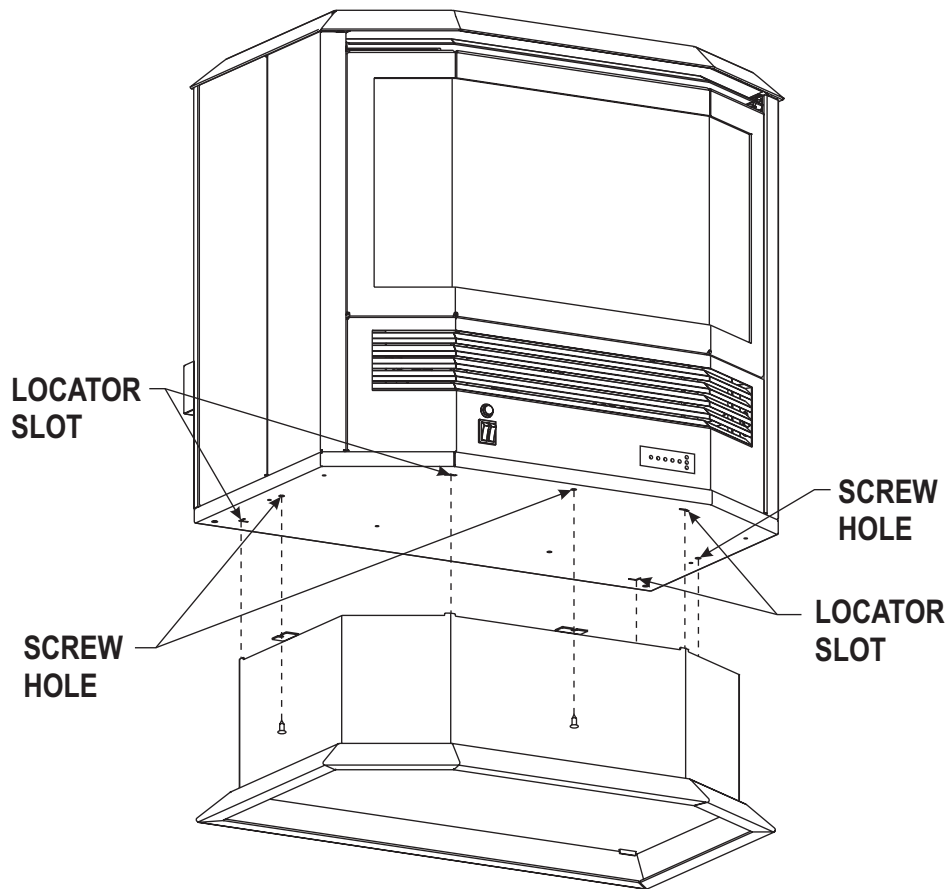
EFFECTIVE DATE OCTOBER 2006

INSTRUCTIONS MUST BE LEFT WITH THE OWNER FOR FUTURE REFERENCE AFTER INSTALLATION

1. Remove pedestal assembly from carton. Handle pedestal with care to avoid paint damage.
2. Place pedestal assembly into position where heater is to be located.
3. Lift and place main body of heater on top of pedestal assembly and align main body of heater with locating tabs provided on pedestal assembly (refer to diagram).

NOTE: To avoid accidents and damage to main heater body and paint-work, it is recommended that main body of heater should be located on top of pedestal assembly by 2 people.

4. Secure pedestal assembly to main body of heater with three (3) 1/2"- 10 x 24 screws supplied from bottom up (refer to diagram).



Note: Use the three (3) 1/2"- 10 x 24 screws provided to secure pedestal assembly to base of heater.