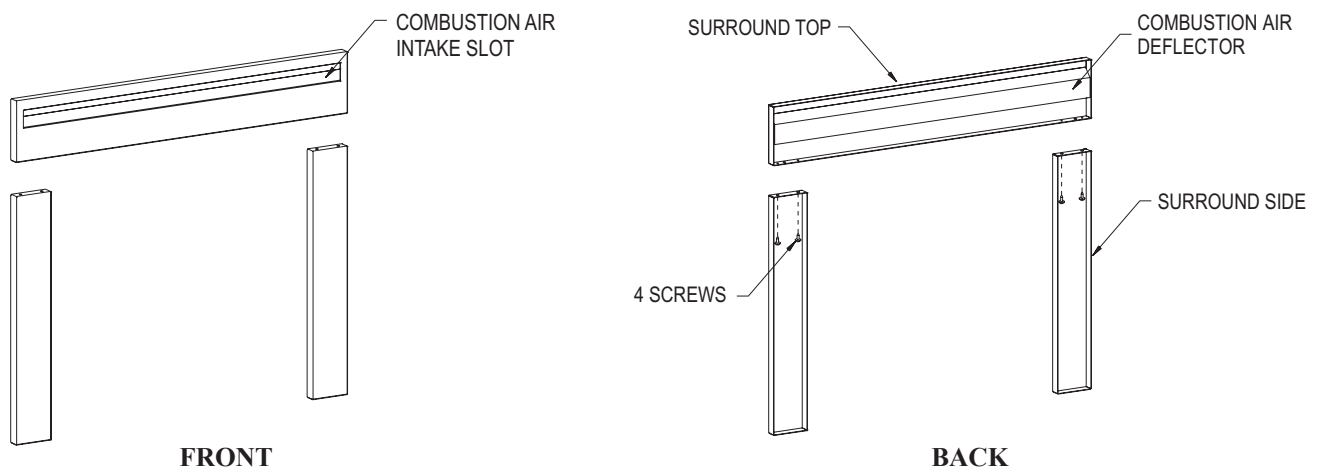


MANTIS HEATER FIREPLACE SURROUND INSERT INSTALLATION

EFFECTIVE DATE OCTOBER 2006

INSTRUCTIONS MUST BE LEFT WITH THE OWNER FOR FUTURE REFERENCE AFTER INSTALLATION

1. Remove Fireplace Insert Surround assembly from carton, handle insert surround with care to avoid paint damage.
2. Assemble Fireplace Insert Surround as per diagram with four (4) 10 x 1/2" screws supplied.
3. Install surround assembly around fireplace.
4. Install either slim or short top. Note: Top will hold surround in place.



PARTS LIST		
Part Number	Description	Quantity Supplied
22754	Top, Surround Assembly	1
21859	Side, Surround 6"	2

Replacement 10 x 1/2" screws can be purchased from a local hardware store.