

# Gravity Wall Furnace

EMPIRE



GWT-35

- State-of-the-Art Technology for Higher Fuel Efficiency
- Common Size Retrofits Easily
- GWT-25/35 Furnace Recesses into Wall or Mounts Flush with Optional GWTW-2
- Total Comfort for a Fraction of the Cost of Electric Heat
- Optional Wall or Built-in Thermostats Require No Electricity
- Heat Two Rooms with Dual Wall Unit GWT-50
- Optional Blower Available

Surround Yourself with Comfort

# Gravity Wall Furnaces 25,000 to 50,000 Btu Models

## Specifications

Model	GWT-25	GWT-35	GWT-50 Dual Wall
Color: Cabinet and Front Panel	Beige	Beige	Beige
Btu Input	25,000	35,000	50,000 (Total) 25,000 (Each Room)
<b>Overall Dimensions</b> (unit mounts between standard stud spacing)			
Width Casing	16"	16"	16"
Depth Casing	6"	6"	6"
Height	66 1/8"	66 1/8"	66 1/8"
Height with Optional Blower Kit	71 7/8"	71 7/8"	71 7/8"
Shipping Weight, Lbs. (One Carton)	86	86	133
<b>Accessories</b> (State on Order)			
Wireless Remote Wall Thermostat	TRW	TRW	TRW
750mv Wall Thermostat (Reed Switch)	TMV	TMV	TMV
750mv Wall Thermostat	GWSG-T	GWSG-T	GWSG-T
Remote Bulb Thermostat	GWRB-T	GWRB-T	GWRB-T
Blower Kit	GWTB-2	GWTB-2	GWTB-2†
Output, Cu. Ft./Min.	75	75	75
Rear Register Kit	GWTR-1	GWTR-1	N/A
Out-of-the-Wall Installation Kit	GWTW-2**	GWTW-2**	N/A
<b>Minimum Clearance to Combustibles from:</b>			
Top	12"	12"	12"
Each Side	4"	4"	4"
Bottom of Unit to Floor Covering	1 1/2"	1 1/2"	1 1/2"
<b>Gas Inlet</b>			
Type of Gas (State on Order)	Natural or LP	Natural or LP	Natural or LP
Iron Pipe Size (N.P.T.)	1/2"	1/2"	1/2"
<b>Venting</b>			
Size of Flue Collar (Type B)	4" Oval	4" Oval	4" Oval

### Safety Control

Pilot and Main Burners Include Automatic Shutoff

### Warranty

Combustion chamber carries a 10-year limited warranty.  
All other parts carry a 1-year limited warranty.

† One blower may be purchased for each side.

\*\* When the GWTW-2 Out-of-the-Wall kit is used, the GWTR-1 Rear Register kit **cannot** be used.



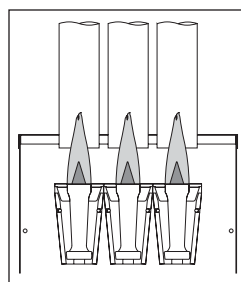
GWTB-2 Blower



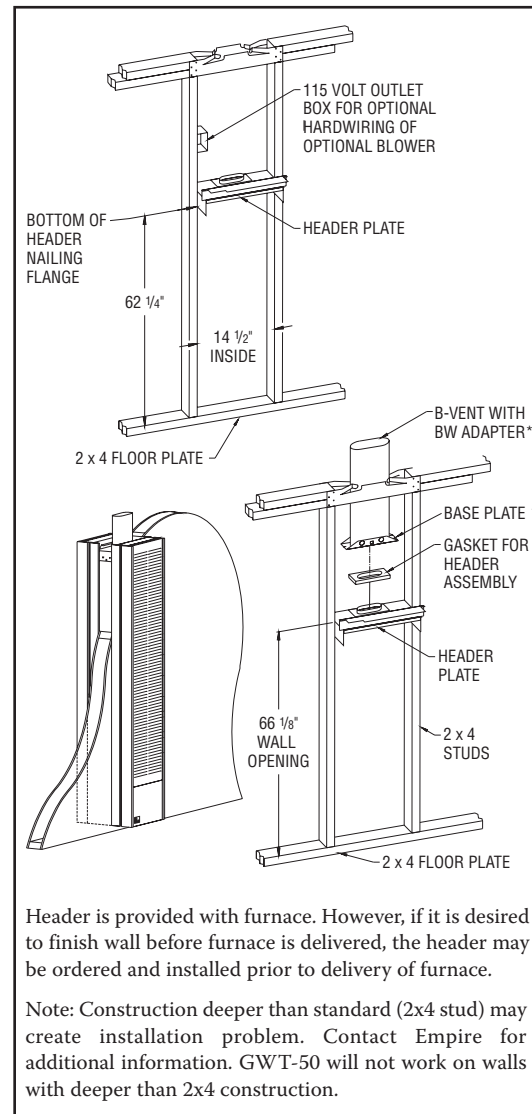
GWSG-T  
Wall  
Thermostat



GWRB-T  
Remote Bulb  
Thermostat



Inshot Burner &  
Tubular Heat Exchanger



Header is provided with furnace. However, if it is desired to finish wall before furnace is delivered, the header may be ordered and installed prior to delivery of furnace.

Note: Construction deeper than standard (2x4 stud) may create installation problem. Contact Empire for additional information. GWT-50 will not work on walls with deeper than 2x4 construction.

\* Purchase Locally

Note: Empire has a policy of constantly improving quality and performance of its appliances, therefore, materials and specifications are subject to change without notice.

Note: Units do not come with thermostats.

## For Your Safety

Due to high temperatures, the appliance should be located out of traffic and away from furniture and draperies.

Children and adults should be alerted to the hazard of high surface temperature and should be kept away to avoid burns or clothing ignition.

Installation and repair should be done by a qualified service person.

This series is design certified in accordance with American National Standards Institute Z21.86 (latest standard) and CSA2.32-(latest standard) by the Canadian Standards Association, as a Vented Wall Furnace.

The installation must conform to local codes. In the absence of local codes, the installation must conform with American National Standard (National Fuel Gas Code) known as NFPA 54 and ANSI Z223.1 (latest edition) available from the American National Standards Institute, Inc., 11 West 42nd St., New York, N.Y. 10036, or from the National Fire Protection Assoc., Batterymarch Park, Quincy, Massachusetts 02269.

Note: A vent safety switch is standard on all models, automatically shutting off the heater in the event of a blocked flue or incorrect installation. (Example: Attaching a 90° elbow directly to the draft diverter is an incorrect installation.) The flue pipe diameter must be as large as the flue collar on the draft diverter and run as directly as possible to the chimney with a minimum of elbows. Any flue pipe passing through walls and roof must be "B" Type vent. The chimney must extend at least two feet above the roof and any object or building within ten feet of the chimney.



918 Freeburg Ave. • Belleville, IL 62220-2623  
618-233-7420 • FAX 618-233-7097  
E-mail: info@empirecomfort.com



©Empire Comfort Systems, Inc. EHS-49 Rev. A 3/08